

# REMINGTON®



Official Electrical Styling Partner of Manchester United

## Sleek & Curl Expert Straightener

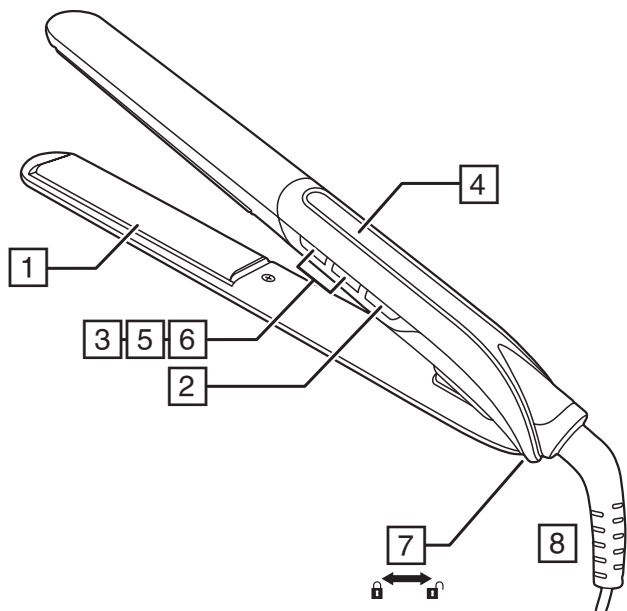


**S6755**

 [www.remington.co.uk](http://www.remington.co.uk)

Register online for an **EXTRA** year guarantee

Visit [uk.remington-europe.com/product-registration](http://uk.remington-europe.com/product-registration) You must register within 28 days of purchase.



Thank you for buying your new Remington® product. Please read these instructions carefully and keep them safe. Remove all packaging before use.

**WARNING: This appliance is hot. Keep out of reach of children at all times.**

---

## IMPORTANT SAFEGUARDS

---

- This appliance can be used by children aged from 8 years and above and persons with reduced physical, sensory or mental capabilities or lack of experience and knowledge if they have been supervised/instructed and understand the hazards involved. Children shall not play with the appliance. Cleaning and user maintenance shall not be done by children unless they are older than 8 and supervised. Keep the appliance and cable out of reach of children under 8 years.
  - ⊘ Do not use this appliance near bathtubs, showers, basins or other vessels containing water.
  - When the appliance is used in a bathroom, unplug it after use since the proximity of water presents a hazard even when the appliance is switched off.
  - For additional protection, the installation of a residual current device (RCD) having a rated residual operating current not exceeding 30 mA is advisable in the electrical circuit supplying the bathroom\*.
- \* Currently, the fitting in a bathroom of an electrical socket suitable or capable of operating the appliance is not permitted in the UK (see BS7671).
- Burn hazard. Keep the appliance out of reach from young children, particularly during use and while cooling down.
  - Never leave the appliance unattended when it is connected to the power supply.
  - Always place the appliance (with its stand, if any), on a heat-resistant, stable flat surface.
  - If the supply cord of this unit becomes damaged, discontinue use immediately and return the appliance to your nearest authorised Remington® service dealer for repair or replacement in order to avoid a hazard.

- Do not allow any part of the appliance touch the face, neck or scalp.
- Keep the power plug and cord away from heated surfaces.
- Do not use attachments other than those we supply.
- Do not use the appliance if it is damaged or malfunctions.
- Do not twist or kink the cable, or wrap it round the appliance. Check the cord regularly for any sign damage.
- CAUTION: Always remove the appliance from the storage pouch/sleeve before heating and allow it to fully cool before placing it back.
- This appliance is not intended for commercial or salon use.

---

## PARTS

---

- |   |                   |
|---|-------------------|
| 1. Black Titanium ceramic coated plates | 7. Hinge lock     |
| 2. On/off switch                        | 8. Swivel cord    |
| 3. Temperature controls                 | <i>Not shown:</i> |
| 4. Temperature display                  | • Storage pouch   |
| 5. Temperature boost function           | • Mat             |
| 6. Temperature lock function            |                   |

---

## ADDITIONAL FEATURES

---

- Fast heat up—ready to use in 15 seconds.
- Automatic safety shut off – this unit will switch itself off if no button is pressed or it is left on after 60 minutes.
- Worldwide voltage: for home or abroad. At 120V times and temperatures may vary.

---

## INSTRUCTIONS FOR USE

---

- Before use, ensure the hair is clean, dry and tangle-free.
  - For extra protection use a heat protection spray.
  - Hairsprays contain flammable material - do not use while using this product.
  - Section the hair prior to styling. Style the lower layers first.
  - Note: The supplied pouch/mat/sleeve will not fully protect the underlying surface from the heat given off by the appliance when it is being used. Therefore, always make sure that the surface you place the mat/pouch/sleeve on will not be damaged by heat.
1. Plug the product into the mains power supply.
  2. Press and hold the on button to switch on.
  3. Select the appropriate temperature for your hair type using the "+" and "-" temperature controls. Start styling on lower temperatures first.
  4. The "+" button will increase the temperature and the "-" button will decrease the temperature.

## Recommended Temperatures:-

Temperature	Hair type
150°C - 170°C	Thin/ Fine, damaged or bleached hair
170°C - 200°C	Normal, healthy hair
200°C - 230°C	Thick, very curly and difficult to style hair

- **Caution:** The hottest temperatures should only be used by experienced stylists.
5. The temperature display will flash until the selected temperature is reached.

### Smooth and Sleek

- Working on one section at a time, run the straightener through the entire length of the hair without stopping.
- Only repeat twice per section to prevent damage to the hair.


### Professional Curls

- Firmly grip a section of hair between the plates, close to the roots.
- Keeping tension firm gently rotate the styler whilst pulling through the length of the hair section to the tips using the curl guides to grip and shape the curl as you style. Make sure to keep rotating the styler.
- Remove styler and holding the hair length, allow the curl to spring into shape.
- Repeat using different size sections of hair for a natural soft curl look.
- After use, press and hold the off button to turn off then unplug the appliance.

### Temperature boost function

- The temperature boost function boosts the temperature to 230°C.
- Hold the “+” button for 2 seconds to operate.
- To deactivate press the “+” for 2 seconds.
- **Caution:** the highest temperature is not suitable for every hair type. If you plan to use this straightener on the boost setting of 230°C please test on a small section of your hair first.

### Temperature Lock Function

- To activate, press and hold the “-” button for 2 seconds. The  symbol will appear on the display and all the keys will be locked.
- To deactivate press the “-” for 2 seconds.

---

## STORAGE, CLEANING AND MAINTENANCE

---

### Let the appliance cool down before cleaning and storing away

- Wipe all the surfaces with a damp cloth.
- Don't use harsh or abrasive cleaning agents or solvents.

The plates can be locked together for easy storage:

To lock, push the hinge lock up to the locked position.

To unlock, pull the hinge lock down to the unlocked position

**NOTE:** Do not heat the unit in the locked position.

---

## RECYCLING

---



To avoid environmental and health problems due to hazardous substances, appliances and rechargeable and non-rechargeable batteries marked with one of these symbols must not be disposed of with unsorted municipal waste. Always dispose of electrical and electronic products and, where applicable, rechargeable and non-rechargeable batteries, at an appropriate official recycling/collection point.

---

## SERVICE AND GUARANTEE

---



Defects affecting product functionality appearing within the guarantee period will be corrected by replacement or repair at our option provided the product is used and maintained in accordance with the instructions. Your statutory rights are not affected.

To claim an extra 1 year guarantee, register your product online within 28 days of purchase.

Register at: <https://uk.remington-europe.com/product-registration>

Consumables are guaranteed only for their recommended lifecycle. Replacement/spare parts\* are excluded and are only covered by a 1 year warranty.

\*Examples include, but are not limited to, adaptors, haircare attachments, grooming accessories, etc.

---

---

## SERVICE CENTRE

---

### United Kingdom

 0800 212 438 (free call mainland UK)


Spectrum Brands (UK) Ltd

Fir Street, Failsworth, Manchester

M35 0HS, UK

[www.remington.co.uk](http://www.remington.co.uk)

### Ireland

 142 951 40

Remington Consumer Products,

Unit B12, Ballymount Corporate Park,

Ballymount, Dublin 12

<https://ie.remington-europe.com>

**Ref. No. S6755**

**Type No. S12A**

19/UK/ S6755 T22-7000995 Version 04 /19

Remington® is a Registered Trade Mark of Spectrum Brands, Inc., or one of its subsidiaries.

Spectrum Brands (UK) Ltd

Fir Street,

Failsworth,

Manchester

M35 0HS

[www.remington.co.uk](http://www.remington.co.uk)

© 2019 Spectrum Brands, Inc.